

Track System Specification

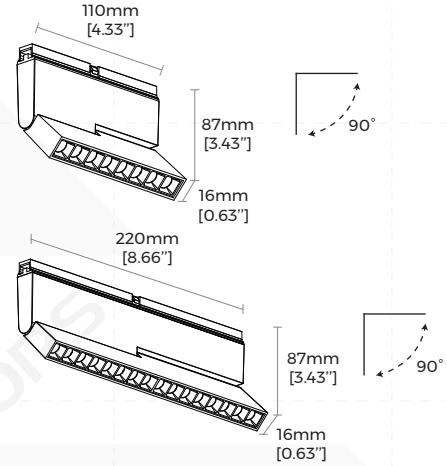
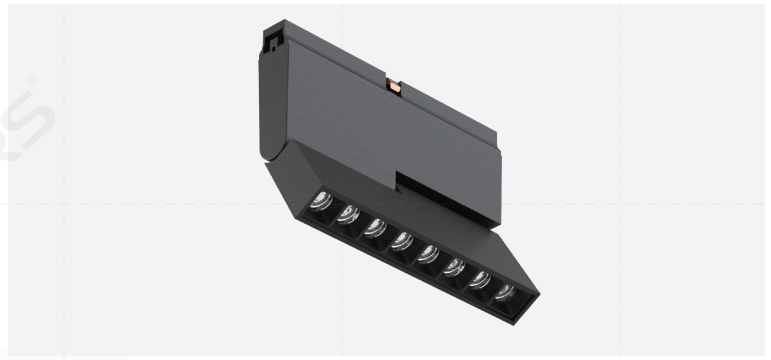
M15G(A)

— MagTrack 15 series



【Basic Parameters】

- Material: AL6063-T5, spraying surface
- Coating: Black/White
- Length: 110mm/220mm optional
- IP grade: IP20
- CCT: 3000/4000K optional
- CRI: 90
- SDCM(Whole Luminaire): <5 Step (ANSI)
- SDCM(Light source): <3 Step (ANSI)
- Input voltage: DC48V
- Working temperature: -15 C ~35 C
- Lighting direction: Downward
- Dimming method: Non-dimming
- Application: Indoor
- Certification: CE, ROHS, Reach
- Warranty: 3 years



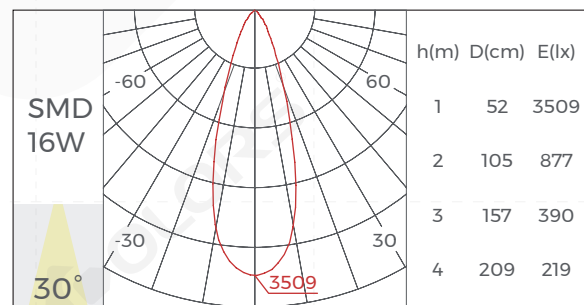
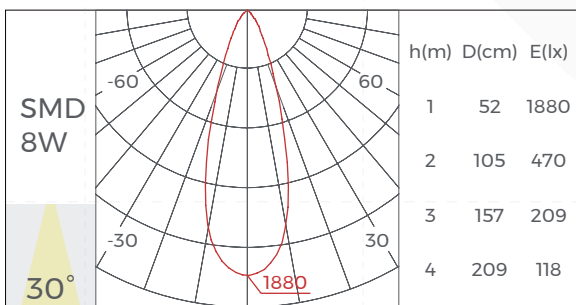
【Luminaire Parameters】

Version	Model	Length	Input Voltage (V)	Max. Current (A)	Type Power (W)	Max. Power (W)	CRI	Beam Angle	CCT	Lumen (LM)
Normal	M15G(A)	110mm [0.36ft]	48VDC	0.167 [0.46A/ft]	8.0 [22.22W/ft]	8.4 [23.33W/ft]	>90	30°	3000K	560 [1556LM/ft]
									4000K	600 [1667LM/ft]
		220mm [0.72ft]		3000K	1115 [1549LM/ft]					
				4000K	1200 [1667LM/ft]					

Note:

1. The output data is based on the testing result of Ra90,3000k luminaires;
2. The tolerance of output data can be vary up to 10%;
3. The output data is typical value.

【Optical Parameter】



【Packing】

Model	Size (mm/box)	Quantity /box	Quantity /carton	NW (kg/box)	NW (kg/carton)	CW (kg/carton)	Size (mm/carton)
TLS-M15GF0110(A)-N930B8	150*53*155 [5.91"*2.09"*6.1"]	1	12	0.16	1.92	3.4	330*320*179 [13"*12.6"*7.05"]
TLS-M15GF0220(A)-N930B16	150*53*263 [5.91"*2.09"*10.35"]	1	12	0.19	2.28	3.8	546*320*179 [21.5"*12.6"*7.05"]

【Attentions】

- 1、 Non-professionals are prohibited from installing, disassembling and repairing the product.
- 2、 Avoid scratching, distortion and irregular bending of the product during installation; otherwise it may cause irreparable damage to the product.
- 3、 Please use professional cutting tools when cutting
- 4、 Do not use any acid or alkaline adhesive to fix products
- 5、 The product is only suitable for indoor dry places, can not be used in outdoor, seaside or wet environment.